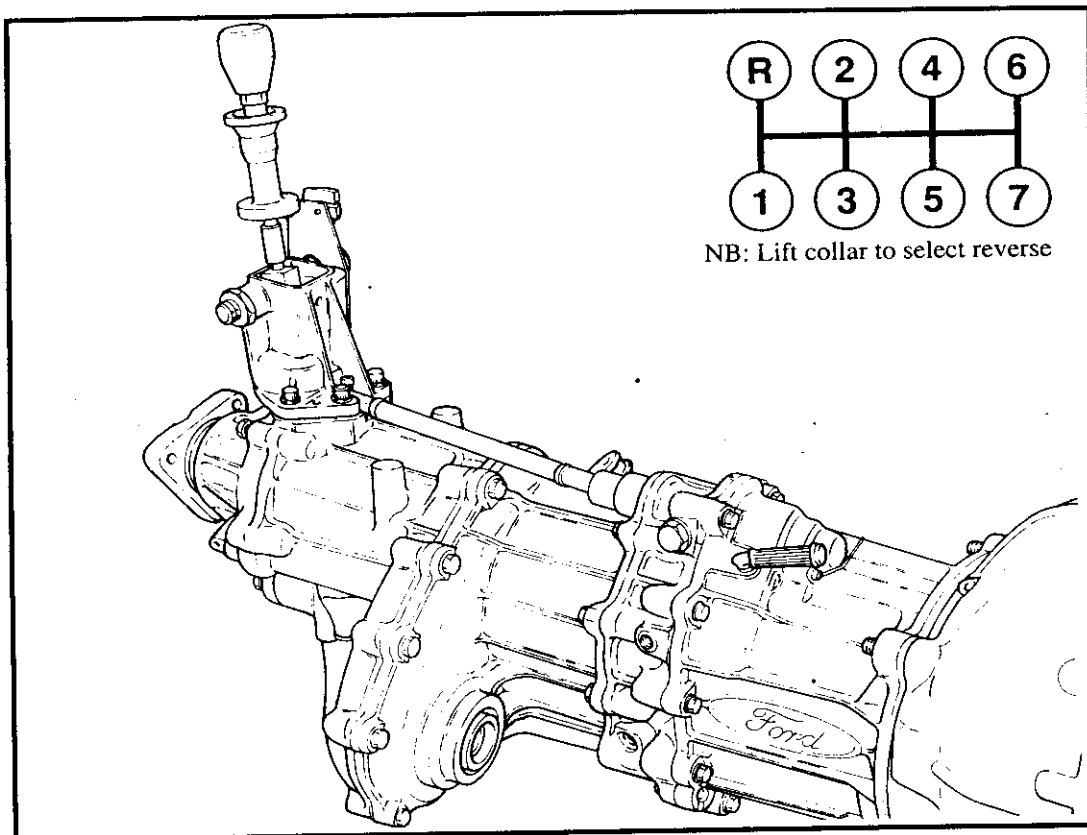


TRANSMISSION





The transmission homologated for use in the Escort RS Cosworth group 'A' is the MS90.

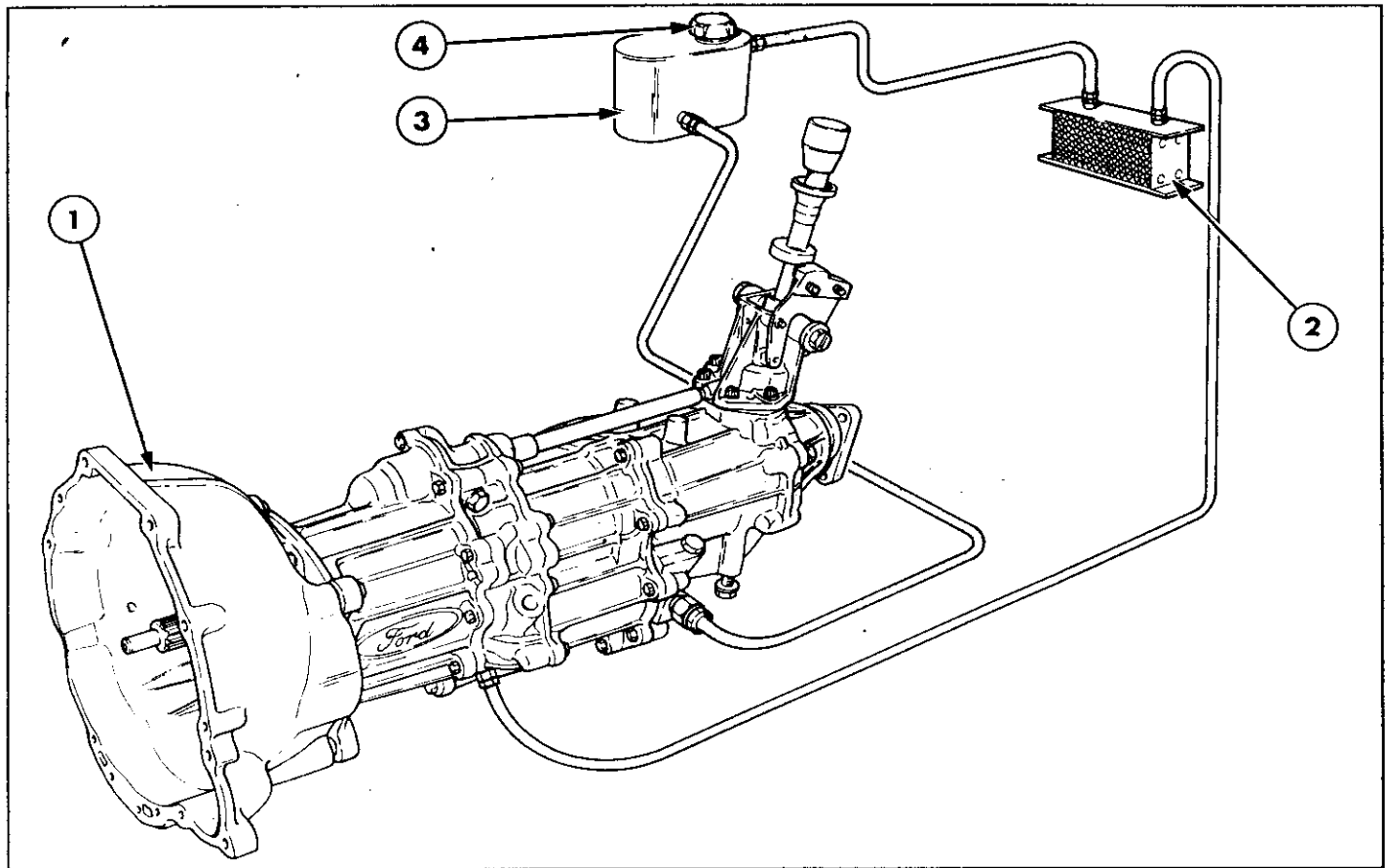
This is a seven speed unit with dry sump lubrication via a built-in oil pump, and remote reservoir. The gears are selected by clutch rings ("dogs"). There is no synchromesh available.

The MS90 transmission is supplied with a detachable (four bolts) clutch housing. Clutch actuation is normally hydraulic.

The overall ratio can be changed by replacing the primary gearset. The MS90 is supplied with the torque split set at 50% front, 50% rear, Alternative torque splits are also available.

GEAR	RATIO	TEETH
1	2.071	14/29
2	1.529	17/26
3	1.200	20/24
4	0.955	22/21
5	0.792	24/19
6	0.654	26/17
7	0.536	28/15
REV.	2.143	14/30

INPUT RATIOS	TOP SPEED (640 Dia TYRES)
17/26 Standard Rally	149 mph (240 kph)
16/27 Alt. Rally	135 mph (217 kph)
18/25 Race	164 mph (264 kph)
19/24 Race	180 mph (290 kph)



Description	Finis Code	Comments	Qty.
1 Transmission Assy. Service details for 9095326 available from: F.F. Developments Ltd, Wolston Business Park Main Street Wolston Coventry CV8 3LR Tel: 44 (0) 203 544 048	9095326	MS90	1
2 Cooler - Transmission	9095084		1
3 Oil Tank - Transmission	9095520		1
4 Cap - Oil Tank	*5005508		1