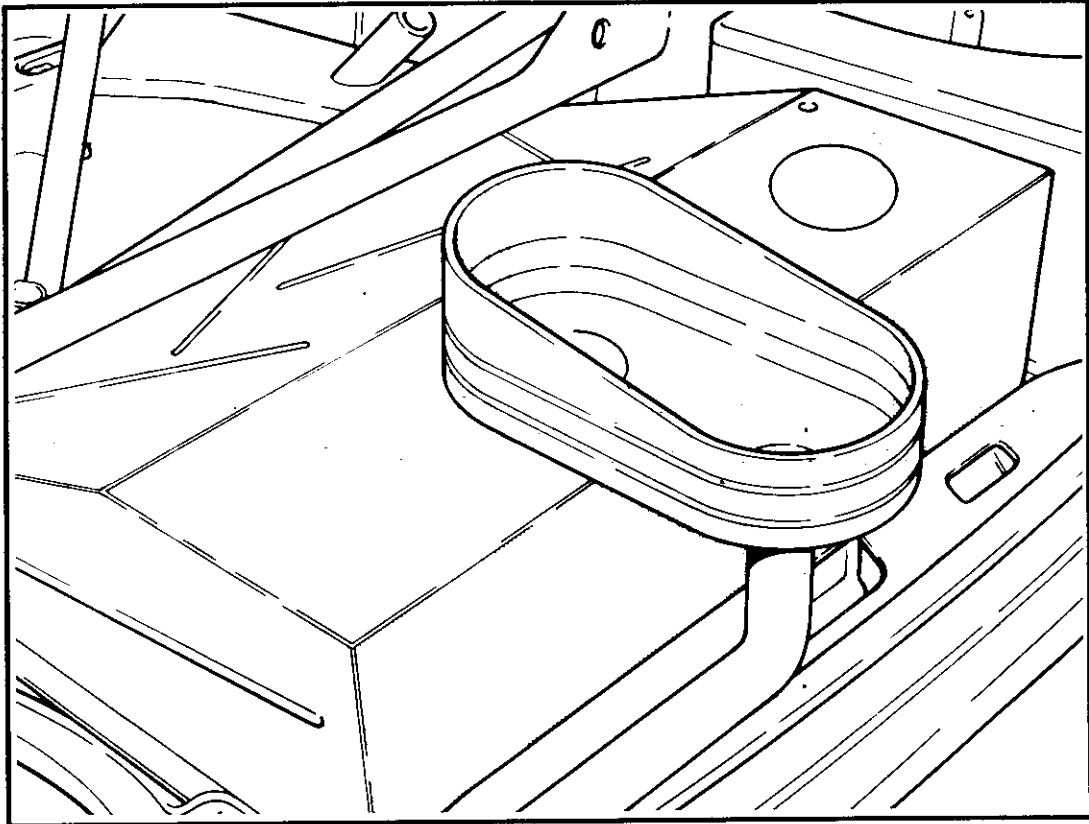


FUEL SYSTEM

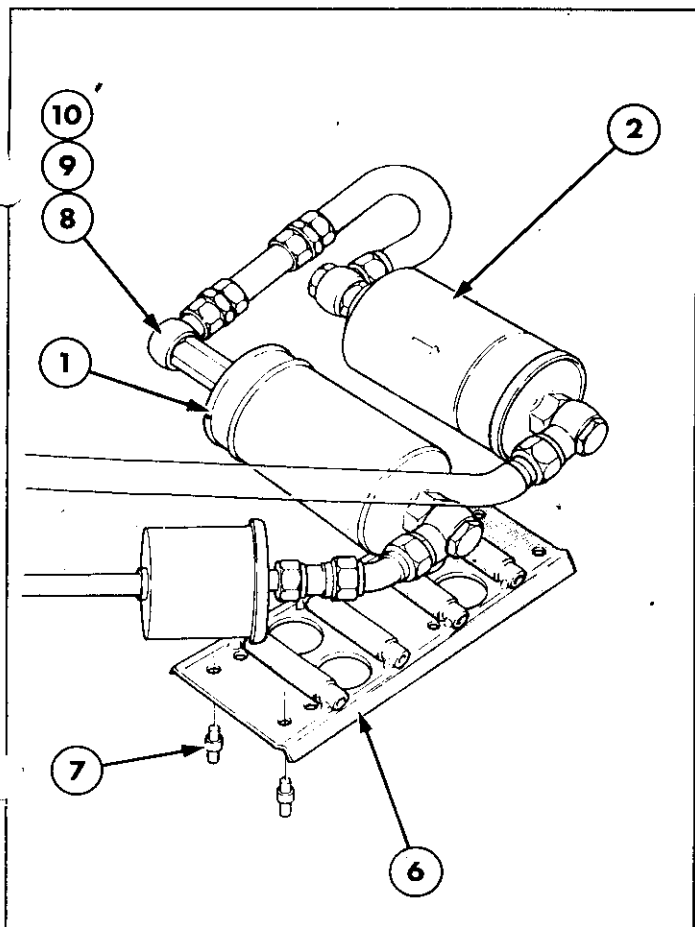




The fuel system comprises an FT3 fuel tank mounted in the luggage compartment, with an electric pump and filter situated near the base of the tank.

To enable the tank to be fitted, the detachable hatch on the right side of the luggage compartment floor is removed and the edges of the opening turned down to prevent damage to the rubber tank. The fuel tank must be enclosed in a fire and liquid proof cover (usually aluminium).

The pump and filter can be mounted on the underside of the floor and both fuel tank and pumps protected by a stone shield. Fuel lines must be aviation type with protective braiding and should be routed through the vehicle.



Description	Finis Code	Comments	Qty.
1 Fuel pump	9092162	FT3 Tank	1
2 Filter	9090275	FT3 Tank	1
3 Fuel Tank	T B E	FT3 Tank	1
4 Fuel Sender	9094750	FT3 Tank	1
5 Fuel Filler	9094851	FT3 Tank	1
6 Bracket - Fuel Pump	9095235		1
7 Insulator - Bracket	*1570495		4
8 Banjo - Fuel Pump	—		1
9 Banjo Bolt	6054980		1
10 Washer M14	—		1

