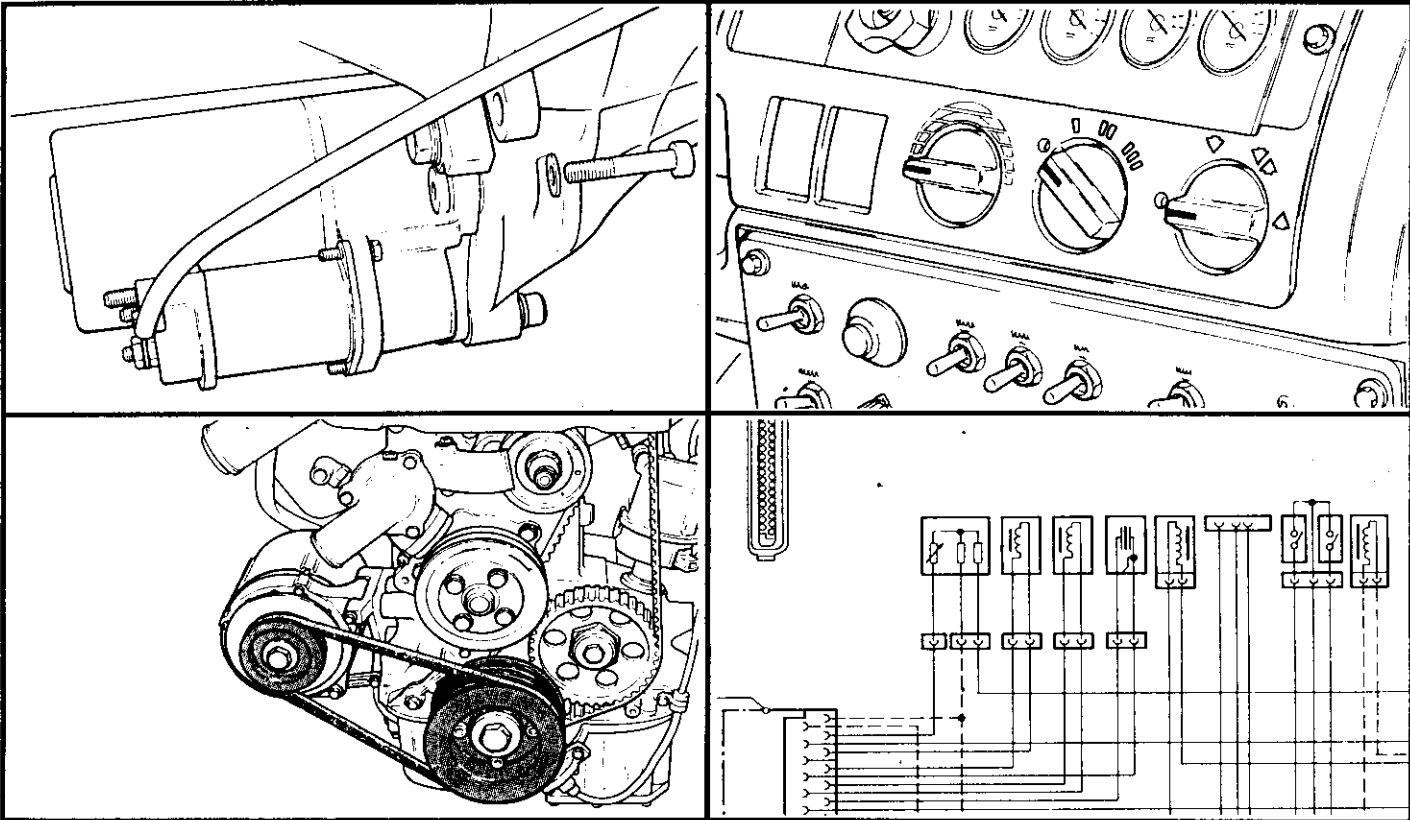


ELECTRICAL





The standard alternator fitted to the Escort Cosworth is rated at 90 amps.

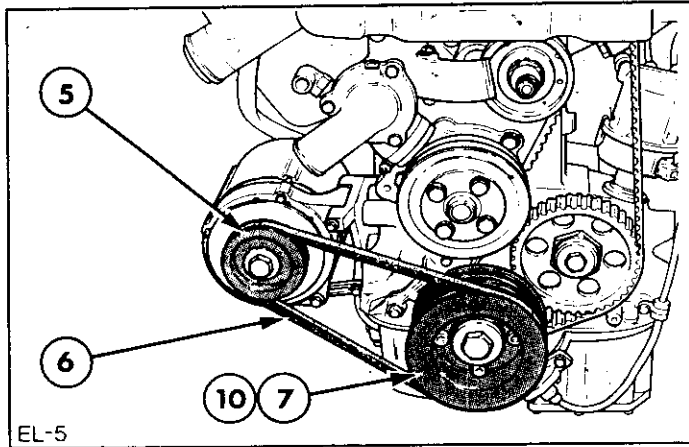
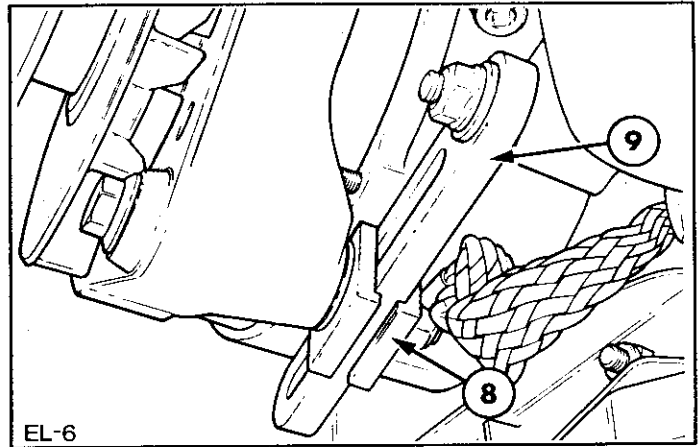
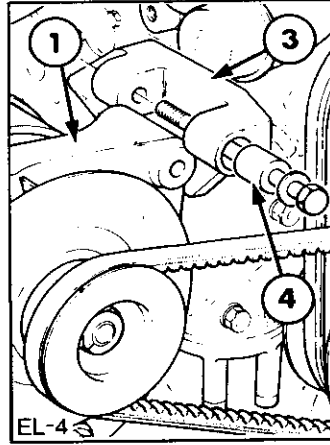
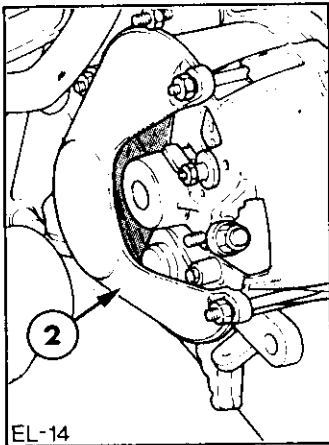
This can be replaced by a 150 amp alternator which will have enough capacity for a lamp pod, heated screen etc.

The alternator should be earthed to the bodyshell.

The battery can be fitted inside the car but must be enclosed in a box with ventilation to the atmosphere.

Use a sealed racing-type battery, and fit heavy duty jack-plugs to allow quick-change.

Disconnect battery and engine control unit when welding on car.

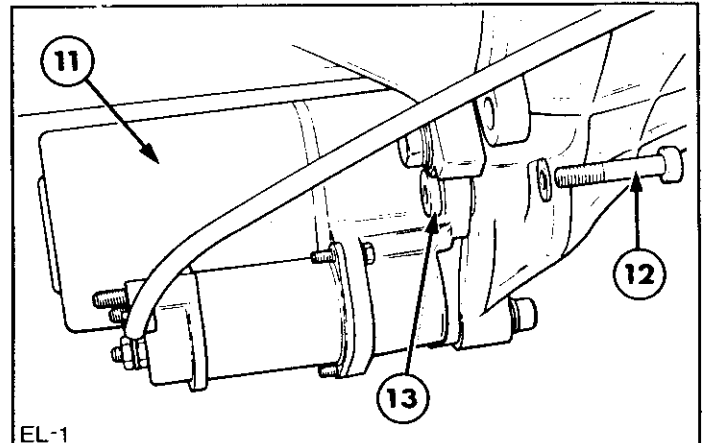


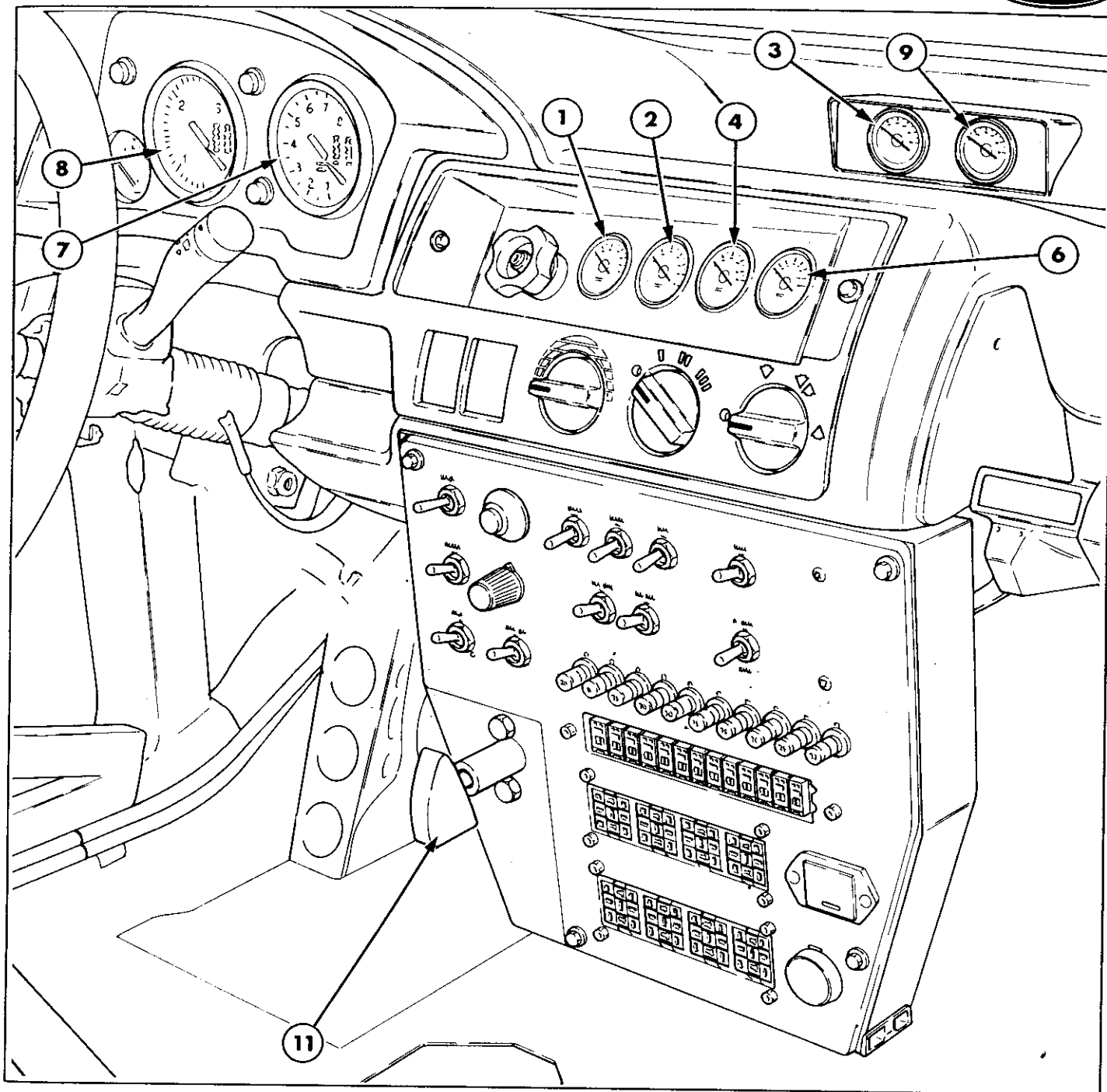
NOTE:

This starter motor has been modified to enable ease of removal as follows:

- Clutch housing drilled out to remove thread.
- Starter motor mounting flange tapped to accept mounting bolts from the rear of the bell housing.

Description	Finis Code	Comments	Qty.
1 Alternator	9092574	150 Amp	1
2 Heatshield - Alternator	*6553448		1
3 Bracket - Alternator	9094793		1
4 Bush - Alternator Mounting	9093115		2
5 Pulley - Alternator	9095110		1
6 Belt - Pulley Alternator	9092933		2
7 Pulley - Crankshaft	9095107		1
8 Clamp - Alternator Strap	9091941		2
9 Strap - Alternator Adjust	9092600		1
10 Adaptor - Crank	9095067		1
11 Starter Motor	*1659138		1
12 Bolt - Starter	*1515841		3
13 Insert - Starter	9093121		2





Description	Finis Code	Comments	Qty.
1 Gauge - Oil Pressure	9091435	0 - 10 bar	1
Oil Pressure Sender	9091956		1
2 Gauge - Water Temperature	9090777		1
3 Gauge - Turbo Boost	9090788		1
4 Gauge - Fuel Pressure	9091435		1
5 Fuel Pressure Sender	9091956		1
6 Gauge - Fuel Level	9090776		1
7 Tachometer	9091326		1
8 Speedometer	9091407		1
9 Voltmeter	9090779		1
10 Kit - Air Horns	*5006122		1
11 Switch - Master Cut-off	9092629		1

Additional Auxiliary gauges "may be freely installed, provided that their fitting is not likely to create any danger".

The horn may be changed or an additional one added "possibly for passenger use". The air horn kit is ideal for this purpose, with a foot operated button on the navigators footrest.

Ensure any additional lamps are wired through separate relays to avoid overloading the standard wiring. Problems are caused by chafing wires or radio interference. Keep radio equipment away from engine electronics.

WARNING

Disconnect battery and engine control module **before** commencing any welding on the vehicle.